

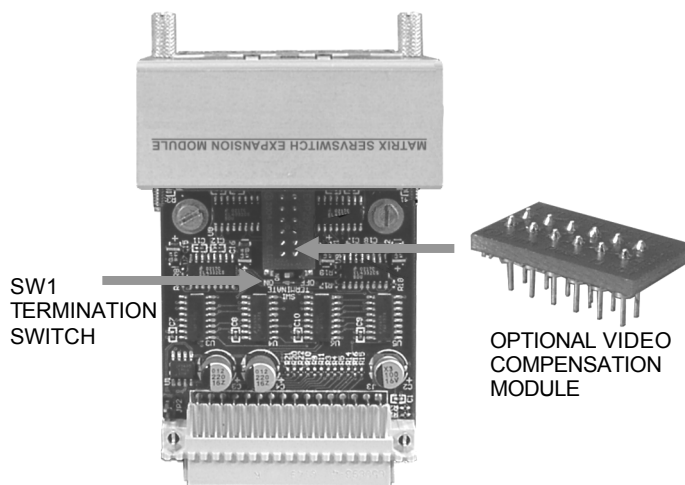
Expansion Module for UltraMatrix™ E-Series



Install an Expansion module for the UltraMatrix™ E-Series in your switch unit to prepare that Switch to be interconnected (daisychained) with other UltraMatrix switches in your system. The RJ45 expansion module can also be used to replace existing DB25 expansion cards. Each Module has six RJ45 connectors, as shown in the illustration above. The top and bottom right connectors are Bus1 IN/OUT, the center top and bottom connectors are for Data IN/OUT, and the top and bottom left connectors are for Bus2 IN/OUT. The Data IN/OUT connectors are used to communicate information between interconnected switches. Bus 1 and Bus 2 transmit and receive the video signals to and from other interconnected switches.

Before you install expansion modules in a daisychained UltraMatrix switch system, you might need to set SW1 switch, depending on which unit is being set-up. In a “BUS” topology consisting of four UltraMatrix switches, set Unit #3, and #2 SW1 switch off. Unit #1 and Unit #4 would have SW1 switch on.

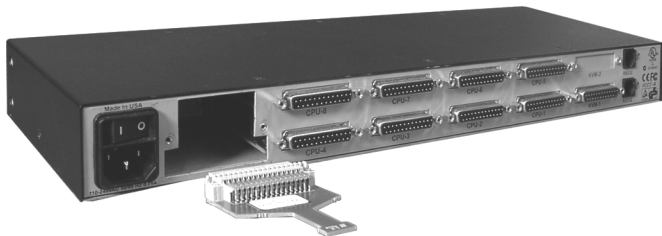
An optional video compensation module is available to help compensate for systems that use extended cable lengths or high end, high resolution settings. Call our technical support staff for information concerning a module for your specific system.



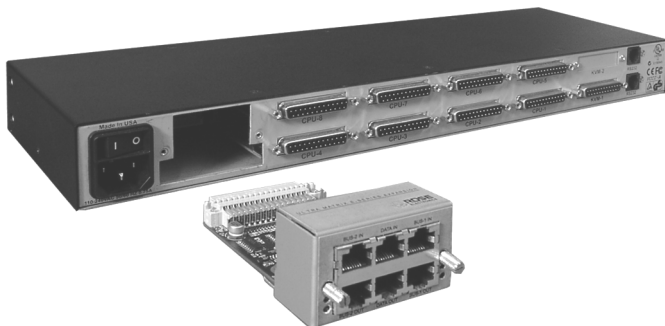
RJ45 EXPANSION MODULE FOR ULTRAMATRIX™ E-SERIES

Once the Expansion module's SW1 switch is set properly, you can swap the Expansion module for the termination Module. (Shipped from the factory with termination module installed). Make sure that the UltraMatrix is turned OFF and unplugged. Unscrew and remove the blank plate covering the expansion card location. Carefully pull the termination module out of the backplane connector and replace it with the expansion module. Make sure that the expansion module is firmly inserted into the backplane connector. Secure the expansion module to the chassis with the two tightening screws.

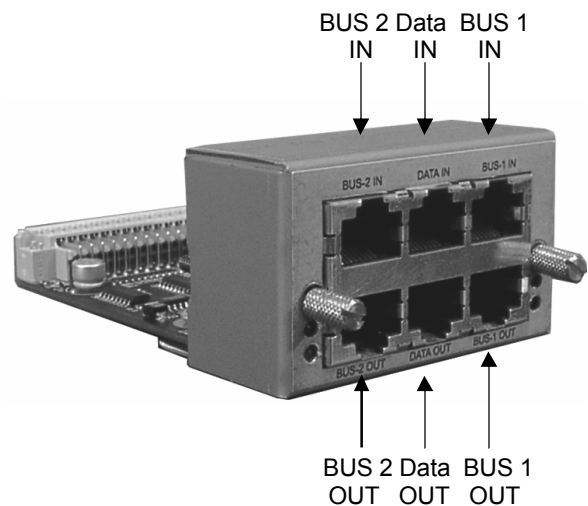
Once the expansion modules are installed in all units in your system, you can run the expansion cables.



Remove the Termination Module ..



and plug in the Expansion Module



Data IN to Data OUT cable – Industry standard UPT CAT5 cable

Bus 1/2 OUT to Bus 1/2 IN – Coax RJ45 Data cable (P/N CAB-CRJ45MMnnn)

To connect the UltraMatrix switch in a BUS configuration, connect a standard CAT5 cable from the DATA OUT port on the last unit in the system to the DATA IN port on the next to the last unit in the system and so on for all units in the system. The daisychain must end with a switch that has the KVM station for this bus.

DO NOT CONNECT A CABLE FROM THE FIRST UNIT'S DATA OUT TO THE LAST UNIT'S DATA IN TO FORM A RING. MAKE SURE ONLY THE FIRST AND LAST UNITS ARE TERMINATED BY TURNING ON SW1.

Daisy chaining the units together in a BUS topology is accomplished by connecting expansion cables from the BUS1 OUT and BUS2 OUT to the BUS1 IN and BUS2 IN connectors for all units in the daisy chain. Refer to the operations manual for detailed installation instructions.

©Copyright 2004, Rose Electronics. All rights reserved.



10707 Stancliff Road
Phone: (281) 933-7673

Houston, Texas 77099
Internet: WWW.ROSE.COM