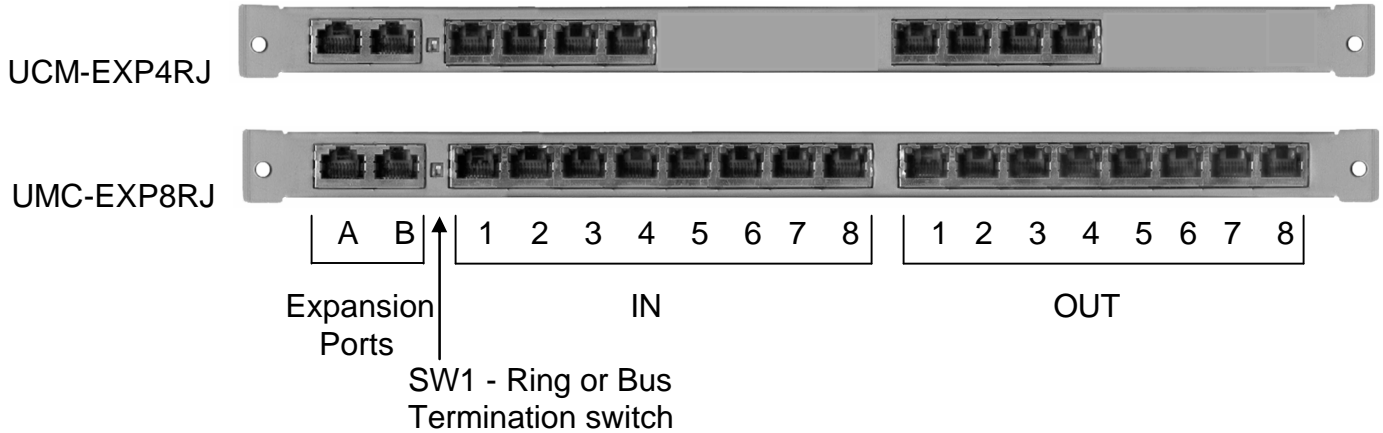


UltraMatrix UM8 / UM16 RJ45 Expansion card



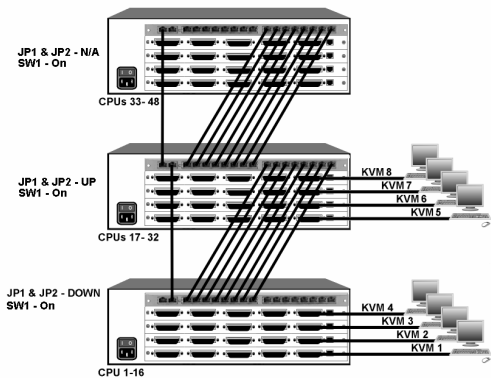
The UMC-EXP4RJ and UMC-EXP8RJ2 expansion card is a direct replacement expansion card for the UMC-EXP4 and UMC-EXP8 expansion card.

Connectors A & B are used to connect one switch to another and carry the system information. SW1 is used to properly set-up and terminate the system depending on which configuration topology is used. SW1 is "On" in a "BUS" topology, "Off" on the first and another switch that divides the "RING" approximately in half.

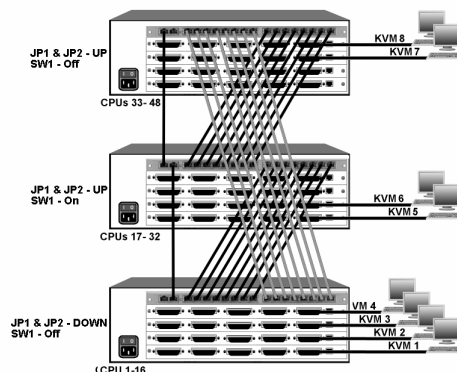
SW1 switch is set depending on the topology the system is set-up in. SW1 in the On position is for a "BUS" configuration, Off is for a "RING" configuration.

Connectors 1 - 4 or 8 (IN) receive data from the output RJ45 ports of another switch.

Connectors 1 - 4 or 8 (OUT) send data to the input RJ45 ports of another switch.



UltraMatrix UM8 "BUS" configuration



UltraMatrix UM8 "RING" configuration

Each RJ45 IN and OUT connector contains an LED that will light green when OUTx port is connected to INx port. The OUTx and INx LED will light red when data is routed through that port to a KVM station.

Note: The expansion ports (A & B) are bidirectional. In a "RING" configuration, the expansion port on switch 1 DOES NOT have to be routed to the expansion port on the last switch.